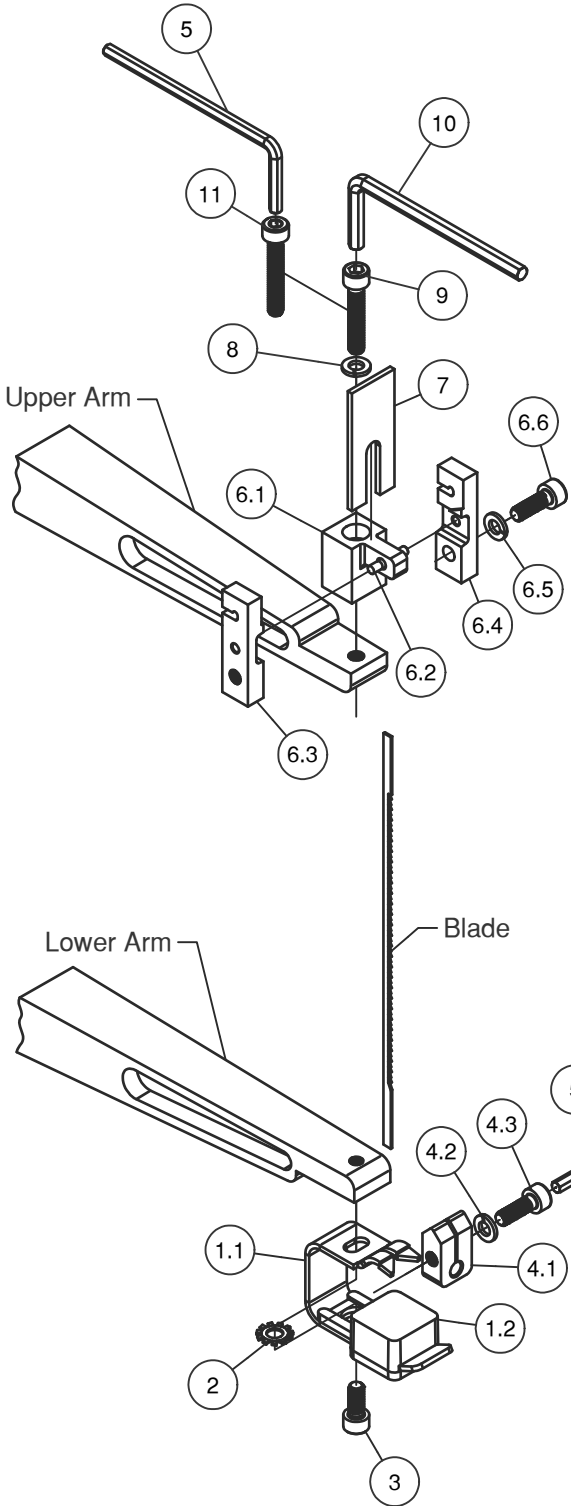


Parts List

AC49610

Scroll Saw Conversion Kit



Item	Part No.	Description	Qty
1	N/A	Blade Holder with Bumper	1
1.1	AC49617	Lower Blade Holder	1
1.2	AC49624	Rubber Bumper, Holder	1
2	AC49609	Lockwasher, #8 External	1
3	AC283	Screw, 8-32 x 3/8, S.H.C.S	1
4	AC49616	Lower Blade Clamp	1
4.1	(AC49616)	Lower Blade Clamp Body	1
4.2	AC285	Washer, Lock, Helical Spring, M4, Black Finish	1
4.3	AC284	Screw, M4 x 0.7 x 12, Hex Socket Cap, Black Finish	1
5	AC49619	Hex Wrench, 3mm	1
6	AC49688	Clamping Plate Sub Assembly	1
6.1	AC49612	Riser Hinge	1
6.2	AC49615	Grooved Center Pin	1
6.3	AC49614	Clamping Plate With Thread	1
6.4	AC49613	Clamping Plate With Hole	1
6.5	AC285	Washer, Lock, Helical Spring, M4, Black Finish	1
6.6	AC284	Screw, M4 x 0.7 x 12, Hex Socket Cap, Black Finish	1
7	AC49611	Plastic Spacer, U-Type	1
8	AC285	Washer, Lock, Helical Spring, M4, Black Finish	1
9	AC287	Screw, 8-32 x 7/8, S.H.C.S.	1
10	AC49618	Hex Wrench, 9/64	1
11	AC286	Screw, M4 x 0.7 x 25 S.H.M.S	1
12	AC49622	Adapter Holding Block	1
13	AC282	Screw, 12-24 x 1 S.R.H.M.S.	2
14	AC281	Nut, 12-24 UNF Hex	2

OLSON[®] Band & Scroll Saw Blades

16 Stony Hill Rd., Bethel, CT 06801 • 203-792-8622
 Fax: 203-796-7861 • www.olsonsaw.net

EP 6/2020